

Project	
Date	
Prepared By	
Model #	CA60CCTBK5

## Specifications

### ELECTRICAL

Watts: 60  
 Voltage: 100-347VAC  
 Power Factor: >0.9  
 Operating Temp. Range:  
 -40°F to 131°F

### LIGHT

Initial Lumens: 8100  
 Lumens per Watt: 135  
 Color Temperature:  
 3000K, 4000K or 5000K  
 CRI: >80

### AGENCY APPROVALS

DLC® Premium: Yes  
 UL/ cUL: Yes  
 RoHS: Yes

### PRODUCT DETAILS

Housing:  
 Cast Aluminum  
 Warranty: 5 years  
 Fixture  
 Rated Life: 50,000 hours  
 Weight:  
 Dimensions:  
 10.04" D x 3.11" W

# LED Canopy - Color Selectable

8100 Lumens, 60 Watt, CCT Selectable, 100-347V



**ORDER CODE:**  
11552

**MODEL NUMBER:**  
CA60CCTBK5

**DLC® PRODUCT ID:**  
PLCV5ULZ3JBX

**REBATE AVAILABILITY\***

## PRODUCT DESCRIPTION

EarthTronics LED Canopy light features three color selectable operations. Switch between 3000K, 4000K and 5000K easily at time of installation. The color selectable temperatures offer building managers the opportunity to match existing HID lamp to reduce the blue light spectrum often associated with higher color temperatures. This LED Canopy fixture accepts 100-347 volt AC power supply. The LED Canopy provide more than 135 lumens per watt and a high 80+ CRI for improved visual acuity and efficient performance. The design is built to withstand all climates and allows for a wide temperature range, even operating down to -40 degrees F°, and is IP65 approved for outdoor wet applications. With rated life of 50,000 hours, the LED Canopy series is designed for easy installation, directly fitting onto existing electrical boxes, making it the contractor's choice when replacing similar linear fluorescent and HID fixtures. The durable cast housing provides excellent heat dissipation providing 50,000 hour rated life. DLC® Premium listed product.

## LIGHTING CONTROLS

- + Easy twist installed microwave sensor
- + Easy programming by remote
- + Functions include daylight harvesting, hold time, dim to off

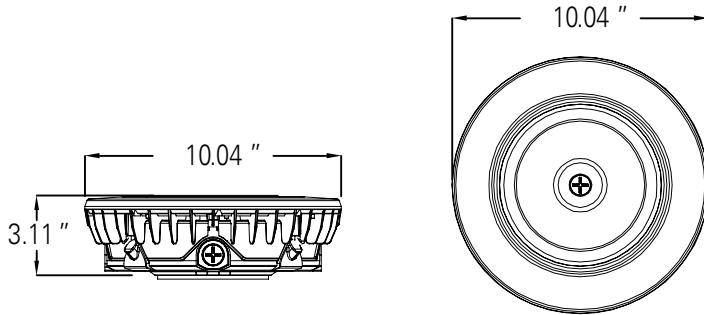
## PRODUCT FEATURES

- + Select from 3000K, 4000K & 5000K at installation with a simple switch located on the driver
- + DLC® Technical Requirement 5.1
- + Durable cast housing
- + Wide pattern light distribution
- + Various mounting capabilities
- + Suitable for wet locations
- + 50,000 hour rated life

## APPLICATIONS

- + Parking Garages
- + Low Bay Areas
- + Security
- + Perimeter Lighting
- + Entry ways

## PRODUCT DETAILS



## PACKAGE DETAILS

### INDIVIDUAL PACKAGE

Individual Carton Qty: 1

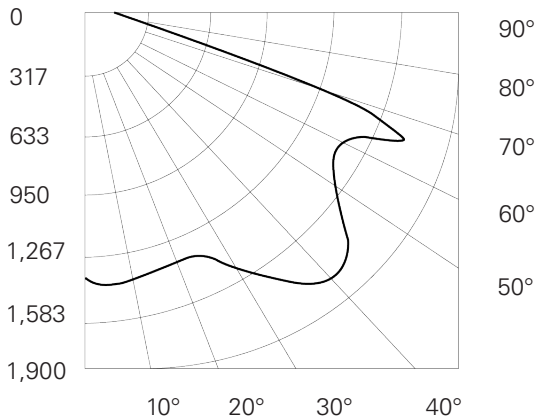
#### Dimensions:

11.02" Length x 10.63" Width x 6.89" Depth

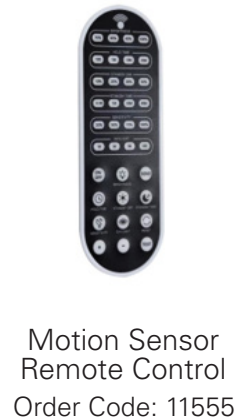
Weight: 2.2 LBS

UPC: 840791115527

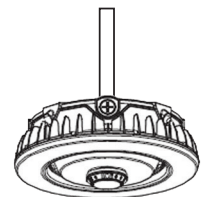
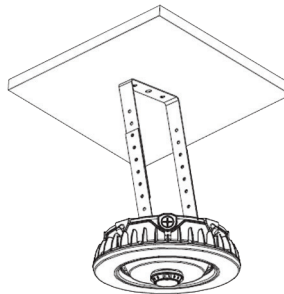
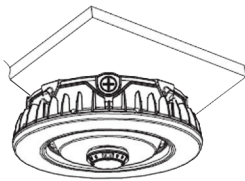
## LIGHT DISTRIBUTION CURVE



## OPTIONAL ACCESSORIES



## MOUNTING VARIATIONS



Easily access our DLC qualified products with rebates in your area.

ACCESS IT HERE: [Rebate Finder - LED Canopy](#)

[www.earthtronics.com/rebate-finder/catalog/](http://www.earthtronics.com/rebate-finder/catalog/)

