

Project	
Date	
Prepared By	
Model #	LVT4WSCCTD1

## Specifications

### ELECTRICAL

Watts: 34, 38, 45

Voltage: 120-277VAC

Power Factor: >0.9

Operating Temp. Range:  
-40°C (-40°F) to 50°C (122°F)

### LIGHT

Initial Lumens:

4450, 4950 or 5850

Color Temperature:  
3500K, 4000K, 5000K

CRI: 80+

### AGENCY APPROVALS

DLC®: Yes

UL Wet Location: Yes

ETL Sanitation:  
Listed to NSF STD.2

IC Rated: Yes

### PRODUCT DETAILS

Lens: Frost Polycarbonate

Fixture: Corrosion  
Resistant

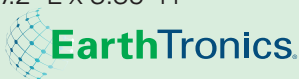
Warranty: 5 years

Fixture  
Rated Life: 50,000 hours

Lumen Maintenance:  
L70 at 100,000 hrs (70°C)

Weight: 3.96 LBS

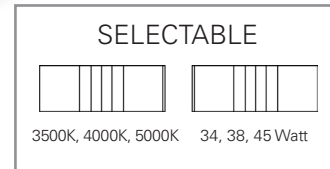
Dimensions:  
47.2" L x 3.35" H



Norton Shores, Michigan 49441  
T: 231.332.1188 | F: 231.726.5029  
TOLL FREE: 866.632.7840  
www.earthtronics.com

# LED Vapor Tight 48"

Color and Wattage Selectable



ORDER CODE:

11611

MODEL NUMBER:

LVT4WSCCTD1

COLOR SELECTABLE:

3500K, 4000K, 5000K

LUMEN LEVEL:

4450 lumens - 34 watts

4950 lumens - 38 watts

5850 lumens - 45 watts

DLC PRODUCT ID:

S-X6AYE3

REBATE AVAILABILITY\*

## PRODUCT DESCRIPTION

EarthTronics LED Vapor Tight fixture provides the flexibility to insure the correct light level and color temperature desired in different applications. Select from 3500K, 4000K or 5000K color temperatures as well as 4450, 4950 or 5850 lumen levels with a switch located on the LED module holder plate. This fixture is ETL Sanitation Listed (conforms to NSF STD.2) for use in food processing and other clean room applications where washdown and product safety are important. This LED Vapor Tight fixture is a standard 48" long. The polycarbonate enclosure is easily installed as well as easy to service and clean. This fixture is corrosion resistant. 0-10V dimming standard and compatible with several controls. DLC® listed product.

## PRODUCT FEATURES

- + This fixture is corrosion resistant
- + 80+ CRI
- + 0-10 volt dimming
- + Color selectable: 3500K, 4000K or 5000K
- + L70 TM-21 at 100,000 hours (70°C)
- + DLC® technical requirement version 5.1
- + Clips are stainless steel
- + 50,000 hour rated life
- + Factory preset to maximum wattage, 4000K
- + 120-277VAC
- + Sealed to and tested for IP65

## APPLICATIONS

- + Parking Garage
- + Stairwells
- + Utility Areas
- + Cold Storage
- + Outdoor Retail

Please consult installation instructions for proper application and use of this fixture.

\*Rebate availability access it here: [www.earthtronics.com/rebate-finder](http://www.earthtronics.com/rebate-finder)

## PACKAGE DETAILS

### INDIVIDUAL PACKAGE

Individual Carton Qty: 1

Dimensions:

49.3" Length x 4.02" Width x 3.19" Depth

Weight: 5.5 LBS

UPC: 840791116111

### MASTER CARTON

Master Carton Qty: 4

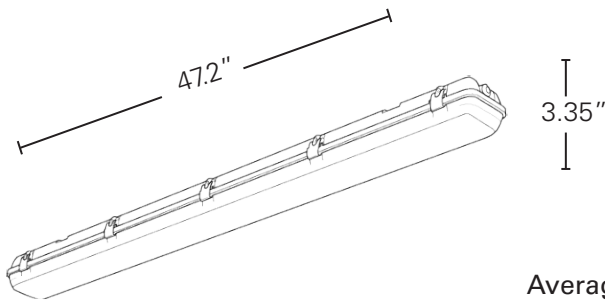
Dimensions:

51.50" Length x 8.27" Width x 7.28" Height

Weight: 24.69 LBS

UPC: 84079111611100

## PRODUCT DIMENSIONS

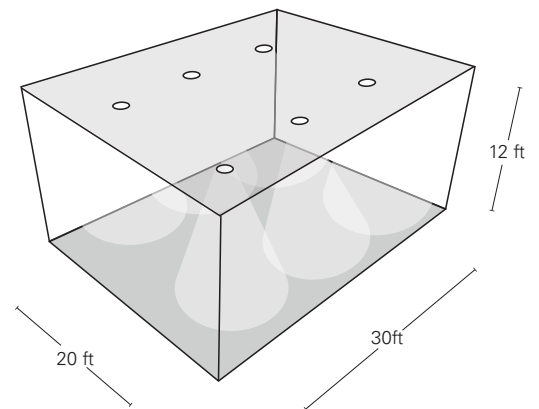


Average Illuminance: 35 fc

Number of Luminaires: 6

Workplane Height: 2.5 ft

## LIGHTING LAYOUT



## OPTIONAL ACCESSORIES



Sensor

Order Code: 10980



Remote Control

Order Code: 10979



VaporTight Backup Driver

Order Code: 11468

Easily access our DLC qualified products with rebates in your area.

ACCESS IT HERE: [Rebate Finder - LED VaporTight](#)

[www.earthtronics.com/rebate-finder/catalog/](http://www.earthtronics.com/rebate-finder/catalog/)

