

Project	
Date	
Prepared By	
Model #	LVT2WSCCTD5

## Specifications

### ELECTRICAL

**Watts:** 15, 20, 25

**Voltage:** 120-347VAC

**Power Factor:** >0.9

**Operating Temp. Range:**  
-40°C (-40°F) to 50°C (122°F)

### LIGHT

**Lumens:**

1950, 2600 or 3250

**Color Temperature:**  
3500K, 4000K, 5000K

**CRI:** 80+

### AGENCY APPROVALS

**UL Wet Location:** Yes

**ETL Sanitation:** Listed  
to NSF STD.2

**DLC®:** Yes

### PRODUCT DETAILS

**Lens:** Frost Polycarbonate

**Fixture:** Corrosion  
Resistant

**Warranty:** 5 years

**Fixture**

**Rated Life:** 50,000 hours

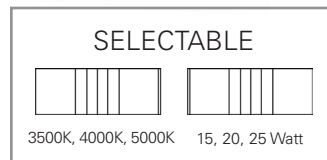
**Lumen Maintenance:**  
L70 at 100,000 hrs (70°C)

**Weight:** 3.3 LBS

**Dimensions:**  
24" L x 3.35" H

# LED Vapor Tight 24"

Color and Wattage Selectable



**ORDER CODE:**  
11669

**MODEL NUMBER:**  
LVT2WSCCTD5

**COLOR SELECTABLE:**  
3500K, 4000K, 5000K

**LUMEN LEVEL:**  
1950 lumens - 15 watts  
2600 lumens - 20 watts  
3250 lumens - 25 watts

**DLC® PRODUCT ID:**  
S-L1A69C

**REBATE AVAILABILITY\***

## PRODUCT DESCRIPTION

EarthTronics LED Vapor Tight fixture provides the flexibility to insure the correct light level and color temperature desired in different applications. Select from 3500K, 4000K or 5000K color temperatures as well as 1950, 2600 or 3250 lumen levels with a switch located on the LED module holder plate. This fixture is ETL Sanitation Listed (conforms to NSF STD.2) for use in food processing and other clean room applications where washdown and product safety are important. This vapor tight is corrosion resistant. The polycarbonate housing and lense are sealed to and tested for IP65. This vapor tight fixture is ideal for commercial and industrial environments where water, humidity and dust may occur. DLC® listed product.

## PRODUCT FEATURES

- + This fixture is corrosion resistant
- + 0 -10 volt dimming
- + Color selectable: 3500K, 4000K or 5000K
- + L70 TM-21 at 100,000 hours (70°C)
- + Clips are stainless steel
- + 50,000 hour rated life
- + Factory preset to max. wattage, 4000K
- + 120-347VAC
- + Sealed to and tested for IP65
- + DLC® listed

## APPLICATIONS

- + Parking Garage
- + Stairways
- + Utility Areas
- + Cold Storage
- + Outdoor Retail

Please consult installation instructions for proper application and use of this fixture.

\*Rebate availability access it here: [www.earthtronics.com/rebate-finder](http://www.earthtronics.com/rebate-finder)

## PACKAGE DETAILS

### INDIVIDUAL PACKAGE

Individual Carton Qty: 1

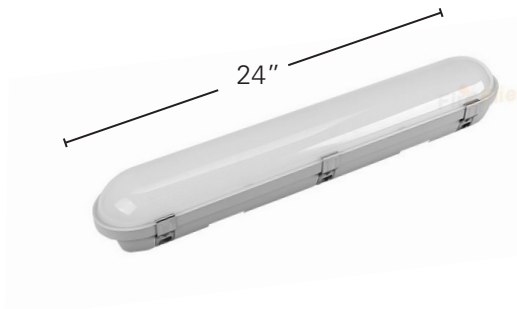
Dimensions:

25" Length x 4.02" Width x 3.19" Depth

Weight: 5.5 LBS

UPC: 840791116692

## PRODUCT DIMENSIONS

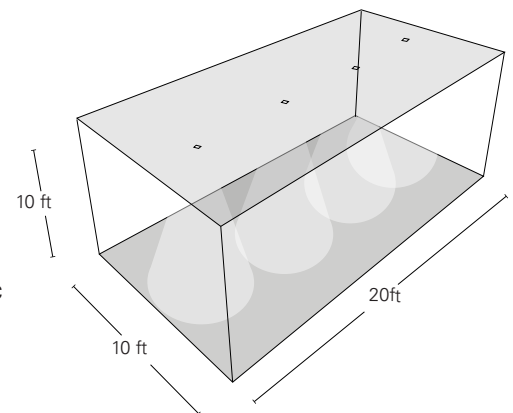


Average Illuminance: 32.5 fc

Number of Luminaires: 4

Workplane Height: 2.5 ft

## LIGHTING LAYOUT



## OPTIONAL ACCESSORIES



Sensor

Order Code: 10980



Remote Control

Order Code: 10979

Easily access our DLC qualified products with rebates in your area.

**ACCESS IT HERE:** [Rebate Finder - LED Vapor Tight](#)

[www.earthtronics.com/rebate-finder/catalog/](http://www.earthtronics.com/rebate-finder/catalog/)

