

Project	
Date	
Prepared By	
Model #	LWPMWSCCTBZ1

Specifications

ELECTRICAL

Watts: 15, 20, 25

Voltage: 120-277VAC

Power Factor: >0.9

Operating Temp. Range:
-40°F (-40°C) to 104°F (40°C)

LIGHT

Initial Lumens:
1800, 2400, 3000

Color Temperature:
3000K, 4000K, 5000K

CRI: >80

AGENCY APPROVALS

DLC®: Yes

UL: Yes

IP65 Rated: Yes

PRODUCT DETAILS

Finish Color: Bronze

Lens: Polycarbonate

Warranty: 5 years

Fixture

Rated Life: 50,000 hours

Dimensions:

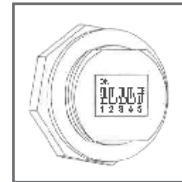
4.15" L x 8.78" W x 2.56" D

Lumen Maintenance:

L70 at 100,000 hrs (70°C)

LED Mini Wall Pack

Color & Wattage Selectable



ORDER CODE:

11700

MODEL NUMBER:

LWPMWSCCTBZ1

COLOR SELECTABLE:

3000K, 4000K, 5000K

LUMEN LEVEL:

1800 lumens - 15 watts

2400 lumens - 20 watts

3000 lumens - 25 watts

DLC PRODUCT ID:

S-1W5I06

REBATE AVAILABILITY*

PRODUCT DESCRIPTION

EarthTronics LED Mini Wall Packs provide exterior, wide-flood area illumination for commercial, industrial, and municipal facilities. The durable UV-stabilized polycarbonate lens resists corrosion and environmental conditions. Select from 3000K, 4000K or 5000K color temperatures as well as 1800, 2400 or 3000 lumen levels, this is easily done by the switch located on the side of the product. This wall pack operates at 120 lumens per watt efficiency at all lumens levels. This LED Mini Wall Pack comes with a dusk to dawn sensor already installed and is built to withstand all climates and allows for an extreme temperature range, even operating down to -40 degrees C°, and is IP65 approved for outdoor wet applications. Accepts 120 – 277-volt AC power supply. The long 50,000 hour rated life is backed up with a 10-year limited warranty. The wall pack fixture requires a properly anchored UL recognized junction box for proper installation. DLC® listed product.

PRODUCT FEATURES

- + Color selectable: 3000K, 4000K, 5000K
- + Wattage selectable: 15, 20, 25 watts
- + Standard 120-277VAC
- + Architectural bronze finish, anti-corrosion spray
- + Durable UV-stabilized PC lens resist corrosion and environmental conditions
- + IP65 rated for wet locations
- + Suited for wall mounting to provide a wide flood area
- + Photocell installed
- + Factory preset to maximum wattage, 5000K
- + DLC® Technical Requirement 5.1

APPLICATIONS

- + Alleys
- + Loading Docks
- + Doorway
- + Pathway
- + Parking Areas

Please consult installation instructions for proper application and use of this fixture.
*Rebate availability access it here: www.earthtronics.com/rebate-finder

PACKAGE DETAILS

INDIVIDUAL PACKAGE

Individual Carton Qty: 1

Dimensions:

9.05" Length x 2.95" Height x 6.29" Width

Weight: 1.45 LBS

UPC: 840791117002

MASTER CARTON

Master Carton Qty: 12

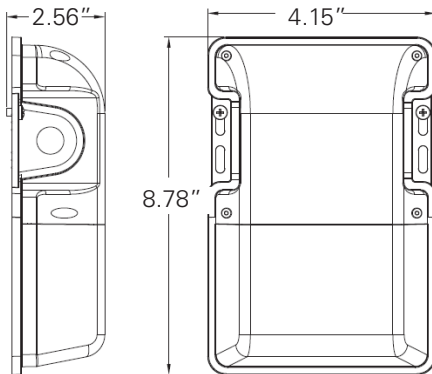
Dimensions:

18.70" Length x 13.18" Height x 9.64" Width

Weight: 21.42 LBS

UPC: 84079111700200

PRODUCT DIMENSIONS



Easily access our DLC qualified products with rebates in your area.

ACCESS IT HERE: [Rebate Finder - LED Mini Wall Pack](#)

www.earthtronics.com/rebate-finder/catalog/

