

# PK0823A

## LED Light Pole Kit with Three Adjustable LED Lights, Selectable Wattage 185/240/300 & Color Temperature, 20-30 Foot Pole Height Options



Job: \_\_\_\_\_  
 Job Site: \_\_\_\_\_ State: \_\_\_\_\_ Client Name: \_\_\_\_\_  
 Notes: \_\_\_\_\_ Approvals: \_\_\_\_\_ Date: \_\_\_\_\_

### Commercial-grade LED Light Pole Assembly Includes:

Square steel light pole, 3 LED lights complete with adjustable slip fitters, low profile pole bracket, hardware, set of anchor bolts and a base cover.

- Orientation Options:** 1. Straight Inline  
 (see page 2) 2. 120° Orientation

### Light Pole:

**Pole Shaft:** Commercial grade steel with minimum yield strength of 55,000 psi.  
 20 ft. poles: 4" square X 11 gauge; 25 ft. poles: 4" square X 7 gauge; 30 ft poles: 5" square X 7 gauge.

**Pole Height:** Standard pole height is 20 ft. Optional heights are 25 ft. and 30 ft. Custom heights are also available.

**Anchor Bolts:** A set of 4 galvanized steel anchor bolts is provided. Each anchor bolt includes 2 nuts and 2 washers.

**Bolt Circle:** 4"sq. Pole: 8-1/2" Bolt Circle (Slotted base for 8-11" Bolt Circle).  
 30 ft poles: 11" Bolt Circle (Slotted base for 10.5" - 12" Bolt Circle)

**Handhole:** Handhole is located 18" above the base plate for 20 ft and 25 ft pole. 21" above the base plate for 30 ft pole. A 3" X 5" steel handhole cover is included.

**Color:** Dark Bronze

**Base Cover:** ABS Plastic base cover with rivets.

### LED Fixture:

**Material:** Aluminum construction with integrated fins to maximize heat dissipation.

**Color:** Dark Bronze.

**Preset Power:** 300 Watts

**Voltage:** 120-277 Volt standard.

**Preset Color Temperature:** 5000K

**Light Distribution:** Type 3 standard.

Type 4 and Type 5 options as special order.

**Photocell:** Photocell is optional.

**Dimming:** 0-10V Dimming Capable.

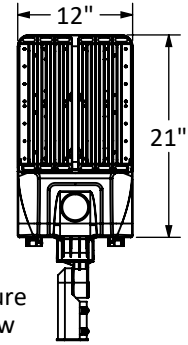
Dimming control not provided (field install).

**ETL Listing:** ETL Listed for Wet Locations.

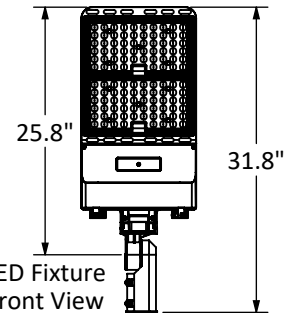
**DLC Listing:** DLC Premium.

**IP Rating:** IP65

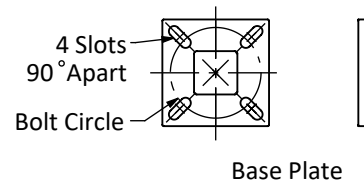
**Weight:** 17.5 lbs. (per fixture).



LED Fixture Back View



LED Fixture Front View



Base Plate

| TOTAL POWER (W)       | LOW             |                 |                 | MID              |                  |                  | HIGH             |                  |                  |
|-----------------------|-----------------|-----------------|-----------------|------------------|------------------|------------------|------------------|------------------|------------------|
|                       | 3x185=555       |                 |                 | 3x240=720        |                  |                  | 3x300=900        |                  |                  |
| TOTAL AMPS            | 120V            | 3x1.62=4.86     |                 | 120V             | 3x2.11=6.33      |                  | 120V             | 3x2.63=7.89      |                  |
|                       | 277V            | 3x0.70=2.10     |                 | 277V             | 3x0.91=2.73      |                  | 277V             | 3x1.14=3.42      |                  |
| COLOR TEMPERATURE (K) | 3000            | 4000            | 5000            | 3000             | 4000             | 5000             | 3000             | 4000             | 5000             |
| LUMENS                | 3x26,825=80,475 | 3x29,600=88,800 | 3x27,750=83,250 | 3x34,800=104,400 | 3x38,400=115,200 | 3x36,000=108,000 | 3x43,500=136,500 | 3x48,000=144,000 | 3x45,000=135,000 |
| LUMENS/WATT           | 145             | 160             | 150             | 145              | 160              | 150              | 145              | 160              | 150              |

| Pole Height  | Base Plate Dim  | Slot Dim     | Bolt Circle |
|--------------|-----------------|--------------|-------------|
| 20 ft, 25 ft | 10" Sq. x 0.75" | 0.98" x 2.5" | 8.5"        |
| 30 ft        | 11" Sq. x 1"    | 1.15" x 1.9" | 11.0"       |

| Pole Height | Anchor Bolt |
|-------------|-------------|
| 20 ft       | 3/4"x17"x3" |
| 25 ft       | 3/4"x30"x3" |
| 30 ft       | 1"x36"x4"   |

**Disclaimer:** All dimensions and specifications are subject to change without any notice. Light Pole Foundation should be designed by an engineer familiar with local soil and wind conditions as well as local code where the light pole will be installed.

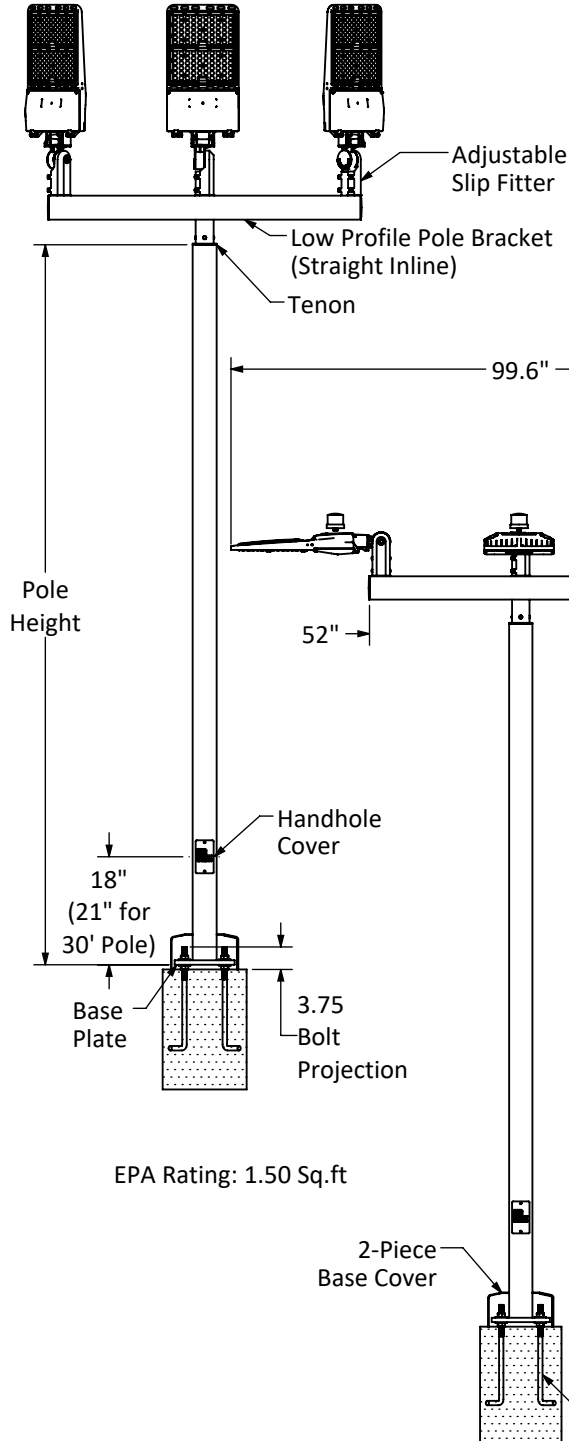
# PK0823A

LED Light Pole Kit with Three Adjustable LED Lights,  
Selectable Wattage 185/240/300 & Color Temperature,  
20-30 Foot Pole Height Options

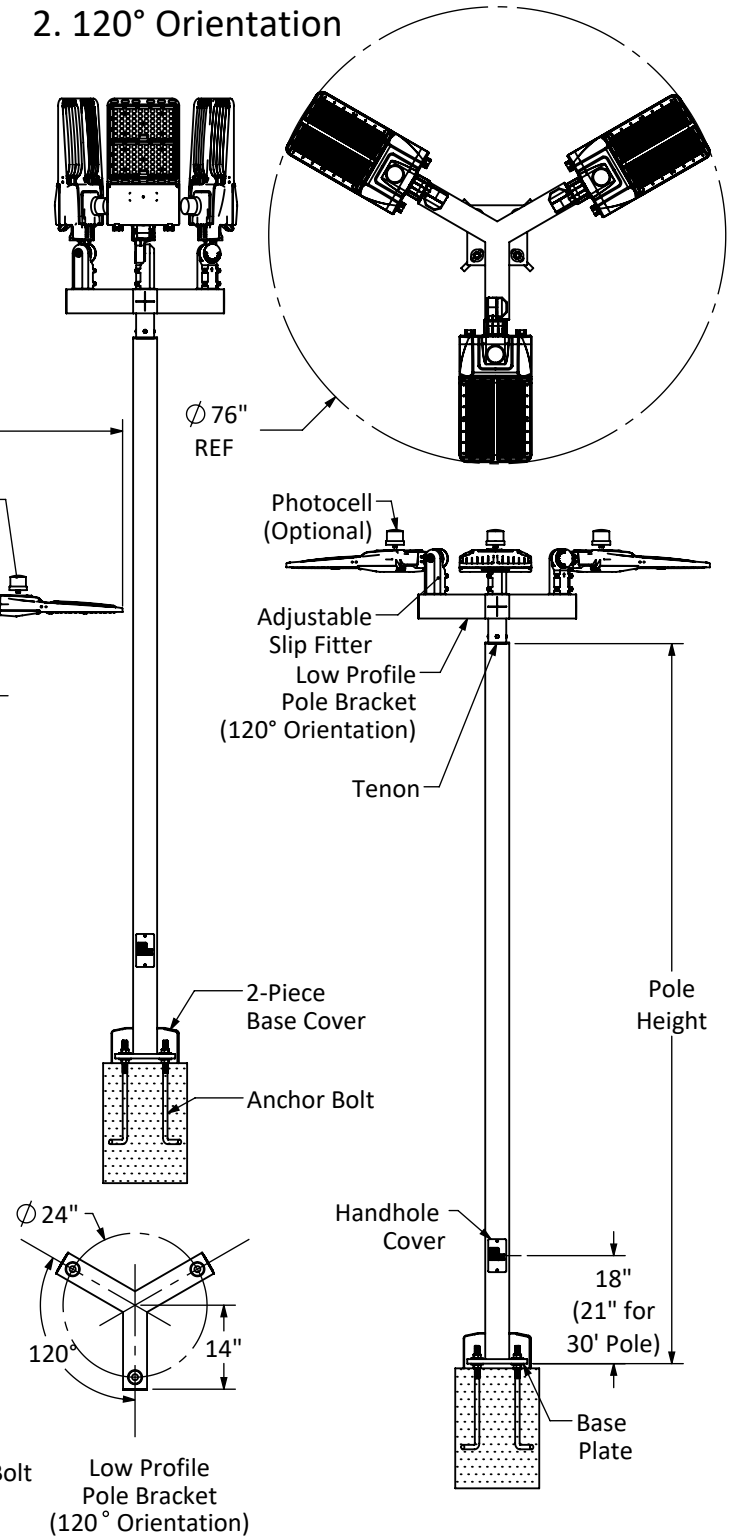


Job: \_\_\_\_\_  
 Job Site: \_\_\_\_\_ State: \_\_\_\_\_ Client Name: \_\_\_\_\_  
 Notes: \_\_\_\_\_ Approvals: \_\_\_\_\_ Date: \_\_\_\_\_

## 1. Straight Inline



## 2. 120° Orientation



**Disclaimer:** All dimensions and specifications are subject to change without any notice. Light Pole Foundation should be designed by an engineer familiar with local soil and wind conditions as well as local code where the light pole will be installed.

EPA Rating: 1.74 Sq.ft