

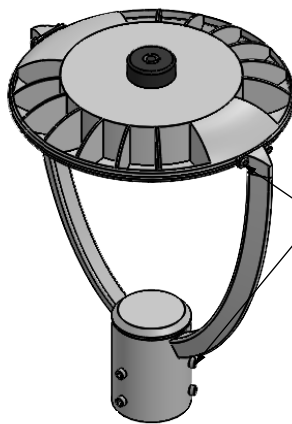
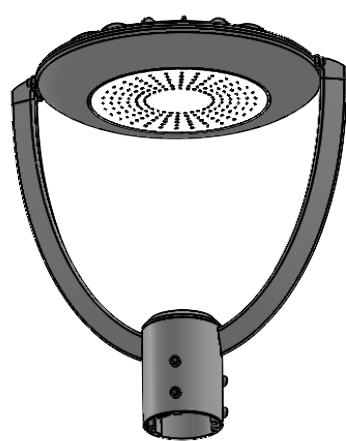
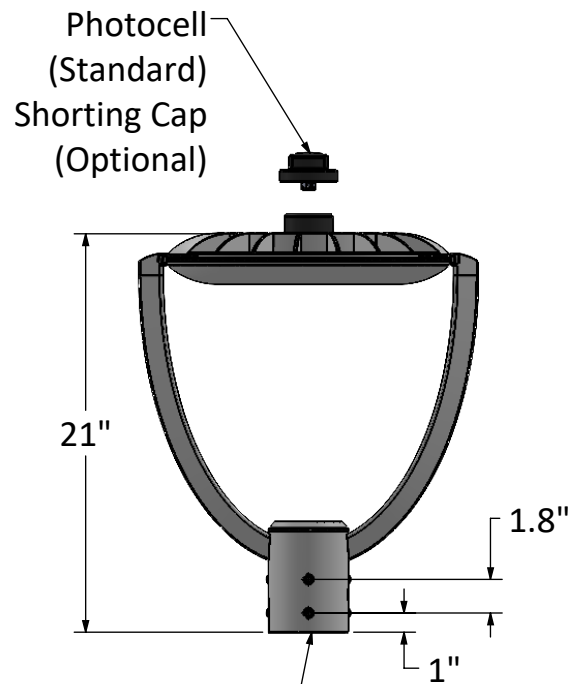
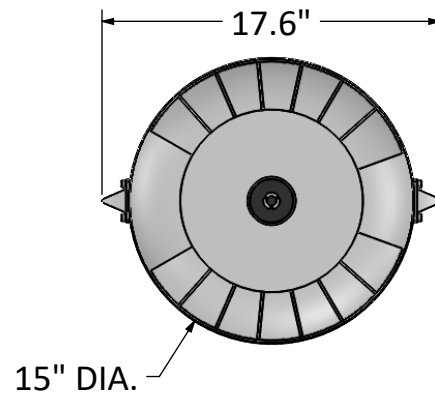


# HALO55

# 55 Watt Post-Top Area Light

Job: \_\_\_\_\_  
 Job Site: \_\_\_\_\_ State: \_\_\_\_\_ Client Name: \_\_\_\_\_  
 Notes: \_\_\_\_\_ Approvals: \_\_\_\_\_ Date: \_\_\_\_\_

**Material:** Aluminum construction.  
**Type:** Post-Top Area Light  
**Color:** Black powder coat.  
**Power:** 55 Watts  
**Lumens:** 6,150  
**Lumens/Watt:** 111  
**Voltage:** 120-277 Volt standard.  
 345-480 Volt option as special order.  
**Amps:** 0.46@120V / 0.198@277V  
**Color Temperature:** 5000K standard.  
 4000K and 3000K options as special order.  
**Photocell:** Twist-Lock photocell.  
 Shorting Cap (Optional).  
**Dimmable:** Yes. (Control is not included).  
**UL Listing:** UL Listed for Wet Locations.  
**DLC Listing:** DLC Premium.  
**IP Rating:** IP65  
**Life Expectancy:** 50,000 hours  
**Warranty:** 5 Years.  
**Weight:** 11 lbs.



Mounting Hardware is included

Fits over 3" OD Pole or Tenon



Dimmable

**Disclaimer:** All dimensions and specifications are subject to change without any notice.  
 Energy Light, Inc. is not responsible for any claims arising from improper use and/or installation.