



LED LUMINAIRES



ProLED® Select Flood Series Field Selectable Color Temperature



The new ProLED Select Flood Series offers the best value in the Commercial & Industrial Floodlight market. The FLFS Flood Series combines performance, design, and the option to select between three color temperatures in one competitively priced fixture. The FLFS Series product is made of high quality, die-cast aluminum with a poly-carbonate lens and an integrated heat sink. Combine that with a watertight, IP65 rating and you have a extremely durable fixture with a L70 of over 50,000 hours. With multiple lumen packages and mounting options, the ProLED Select Flood Series is the right fit for almost any outdoor lighting application.



**Selectable Color
Temperature**

7H x 6V NEMA Beam Spread

**Die-Casting
Aluminum Housing**

Integrated Heat Sink

Polycarbonate Lens

IP65 Rated for Wet Locations

Applications:

Site Lighting
Pole Lighting
Building Façade
Industrial Sites
Commercial



Contact Your Customer Care Specialist
For Pricing, Orders And Technical Support.

800.677.3334 www.halcolighting.com

ProLED® Select Flood Series

Field Selectable Color Temperature

Product #: _____ Type: _____

Project: _____ Date: _____

Comments: _____ Initials: _____

Performance

- Multiple lumen packages ranging from 1,400 lumens to 19,000 lumens
- Overall efficacy >120 lm/W
- 3000K, 4000K, and 5000K in 1 product
- Universal 120-277VAC
- L70 lumen maintenance > 50,000 hours at 25C
- CRI >70
- 0-10V dimming

Construction

- Field selectable CCT via gasketed switch behind knockout on backside of product
- Die-cast aluminum housing
- Polycarbonate, shatter resistant lens

Design

- Slim, low profile design
- Polyester powder coat finish provides corrosion resistance
- One of the below mounting options included
 - ½" threaded knuckle
 - Arch yoke
 - Slipfitter

Certification

- UL listed
- ROHs compliant
- IP65, wet location
- DLC premium

Ordering Information

Product Code	Product Number	Product Description	Wattage	Equivalent Wattage
FLFS12/3CCTU/KN	10339	PROLED SELECT FLOOD; 12W, FIELD SELECTABLE CCT: 3000K, 4000K, 5000K; 120-277V, 1/2 IN THREADED KNUCKLE MOUNT	12W	50W
FLFS12/3CCTU/YK	10340	PROLED SELECT FLOOD; 12W, FIELD SELECTABLE CCT: 3000K, 4000K, 5000K; 120-277V, YOKE MOUNT	12W	50W
FLFS30/3CCTU/KN	10341	PROLED SELECT FLOOD; 30W, FIELD SELECTABLE CCT: 3000K, 4000K, 5000K; 120-277V, 1/2 IN THREADED KNUCKLE MOUNT	30W	100W
FLFS30/3CCTU/YK	10342	PROLED SELECT FLOOD; 30W, FIELD SELECTABLE CCT: 3000K, 4000K, 5000K; 120-277V, YOKE MOUNT	30W	100W
FLFS50/3CCTU/KN	10343	PROLED SELECT FLOOD; 50W, FIELD SELECTABLE CCT: 3000K, 4000K, 5000K; 120-277V, 1/2 IN THREADED KNUCKLE MOUNT	50W	150W
FLFS50/3CCTU/YK	10344	PROLED SELECT FLOOD; 50W, FIELD SELECTABLE CCT: 3000K, 4000K, 5000K; 120-277V, YOKE MOUNT	50W	150W
FLFS70/3CCTU/SF	10345	PROLED SELECT FLOOD; 70W, FIELD SELECTABLE CCT: 3000K, 4000K, 5000K; 120-277V, SLIPFITTER KNUCKLE MOUNT	70W	175W
FLFS70/3CCTU/YK	10346	PROLED SELECT FLOOD; 70W, FIELD SELECTABLE CCT: 3000K, 4000K, 5000K; 120-277V, YOKE MOUNT	70W	175W
FLFS100/3CCTU/SF	10347	PROLED SELECT FLOOD; 100W, FIELD SELECTABLE CCT: 3000K, 4000K, 5000K; 120-277V, SLIPFITTER KNUCKLE MOUNT	100W	250W
FLFS100/3CCTU/YK	10348	PROLED SELECT FLOOD; 100W, FIELD SELECTABLE CCT: 3000K, 4000K, 5000K; 120-277V, YOKE MOUNT	100W	250W
FL150/U50/SF	10349	HALCO LED FLOOD, 150W, 120-277V, 5000K, SLIPFITTER KNUCKLE MOUNT **Not CCT Selectable**	150W	400W
FL150/U50/YK	10350	HALCO LED FLOOD, 150W, 120-277V, 5000K, YOKE MOUNT **Not CCT Selectable**	150W	400W
PC/120-277	10141	BUTTON PHOTOCELL; 120-277		

ProLED® Select Flood Series

Field Selectable Color Temperature

Product #: _____ Type: _____

Project: _____ Date: _____

Comments: _____ Initials: _____

Specification Table

Related Wattage	12W	30W	50W	70W	100W	150W
Energy Savings	50W EQUIVALENT	100W EQUIVALENT	150W EQUIVALENT	175W EQUIVALENT	250W EQUIVALENT	400W EQUIVALENT
Power Factor	<0.9					
L70 Lifetime*	>50,000 hours					
Input Voltage	120-277VAC					
Surge Protection	4kV standard					
Optical Distributions	7H X 6V					
Mounting Options	Mounting included standard: slipfitter knuckle or arch yoke					
CCT	Field selectable 3000K, 4000K, 5000K					5000K
Dimming	Non-Dimming			0-10VDC		
Warranty	5 year					
Finish	Bronze					
Wet	IP65, UL wet location					
DLC	DLC standard					
Lens	Polycarbonate					
Housing	Die cast aluminum					
Weight (lbs)	1.67	2.31	2.75	6.49	6.55	6.55
Master Carton Quantity	20	20	10	5	5	5

*Useful Life is defined as the point in time at which the lamp will maintain at least 70% of its initial lumens. The lamp will continue to operate past this point at decreased light levels. May not be compatible with all dimming systems, dimming performance may vary by system.

Warranty – Commercial / Industrial: This product is warranted for 5 years from the date of purchase.

Scaled Performance

Related Wattage				3000K		4000K		5000K	
	Scaled Input Power (W)	CRI	Scaled THD %	Scaled Power Factor	Scaled Lumens	Scaled Efficacy	Scaled Lumens	Scaled Efficacy	Scaled Lumens
12	>70	17.58	0.9	1471	123	1657	138	1538	128
30	>70	15.88	0.9	3411	114	3819	127	3597	120
50	>70	16.44	0.9	6292	126	7148	143	6645	133
70	>70	10.29	0.9	9600	137	10558	151	10252	146
100	>70	10.63	0.9	13051	131	14451	145	13837	138
150	>70	9.78	0.9	–	–	–	–	19816	132

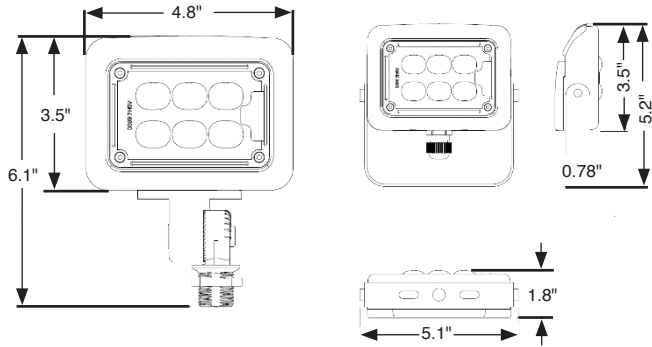
ProLED® Select Flood Series

Field Selectable Color Temperature

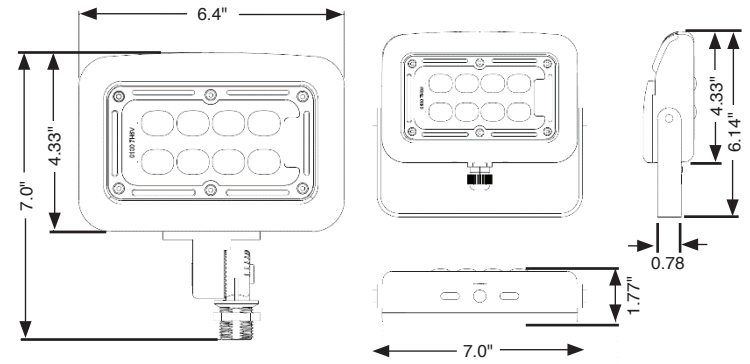
Product #: _____ Type: _____
 Project: _____ Date: _____
 Comments: _____ Initials: _____

Dimensions

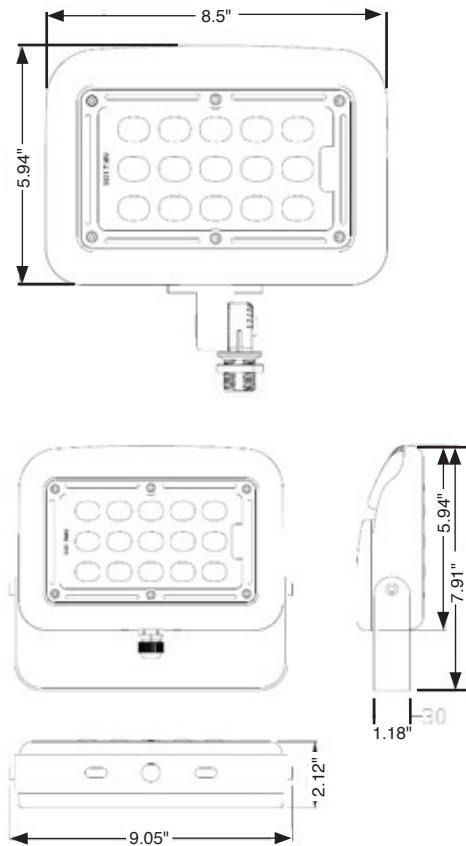
12W Model Dimensions



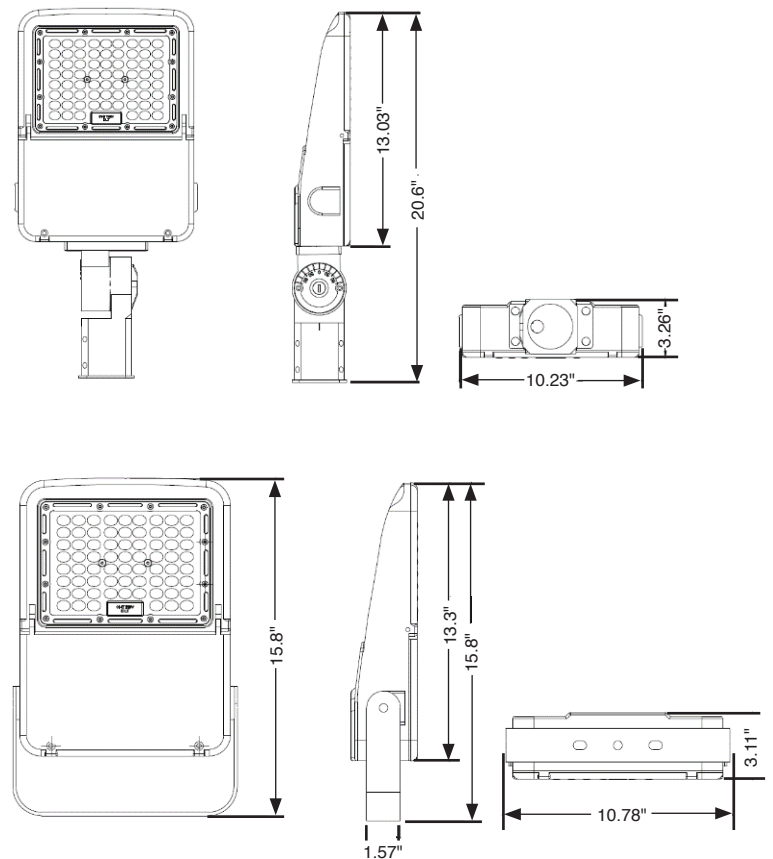
30W Model Dimensions



50W Model Dimensions



70W, 100W & 150W Model Dimensions



ProLED® Select Flood Series

Field Selectable Color Temperature

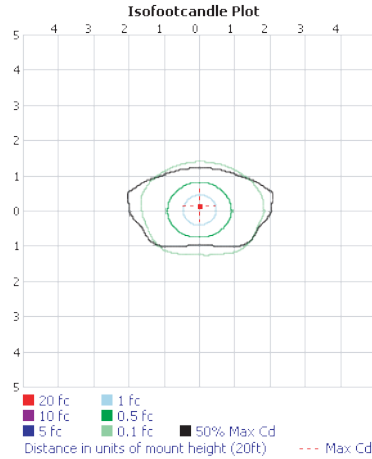
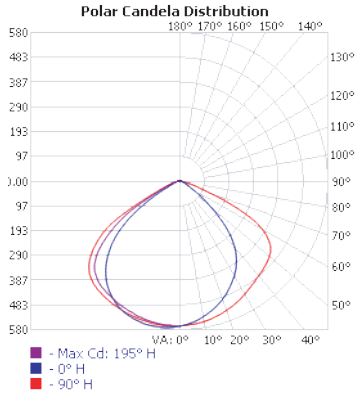
Product #: _____ Type: _____

Project: _____ Date: _____

Comments: _____ Initials: _____

Dimensions

12W



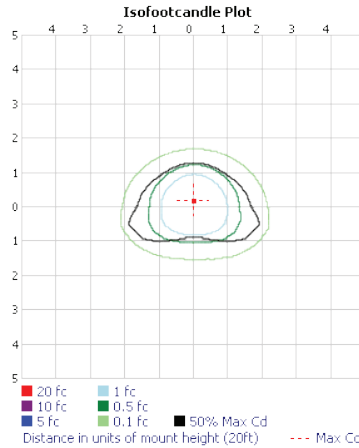
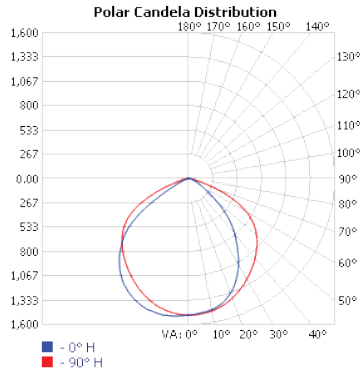
ZONAL LUMEN SUMMARY

ZONE	LUMENS	% LAMP	% LUMINAIRE
0-30	448.2	30.7%	30.7%
0-40	745.1	51.1%	51.1%
0-60	1,301.2	89.2%	89.2%
60-90	146.5	10%	10%
70-100	43.0	2.9%	2.9%
90-120	11.2	0.8%	0.8%
0-90	1,447.7	99.2%	99.2%
90-180	11.4	0.8%	0.8%
0-180	1,459.1	100%	100%

LUMENS PER ZONE

ZONE	LUMENS	% TOTAL	ZONE	LUMENS	% TOTAL
0-10	53.6	3.7%	90-100	3.6	0.2%
10-20	155.0	10.6%	100-110	3.6	0.2%
20-30	239.5	16.4%	110-120	4.1	0.3%
30-40	296.9	20.3%	120-130	0.2	0%
40-50	310.5	21.3%	130-140	0.000	0%
50-60	245.6	16.8%	140-150	0.000	0%
60-70	107.0	7.3%	150-160	0.000	0%
70-80	30.2	2.1%	160-170	0.000	0%
80-90	9.3	0.6%	170-180	0.000	0%

30W



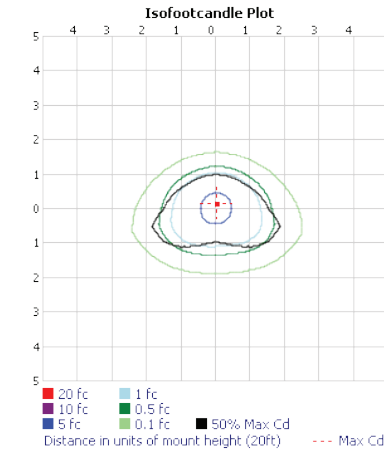
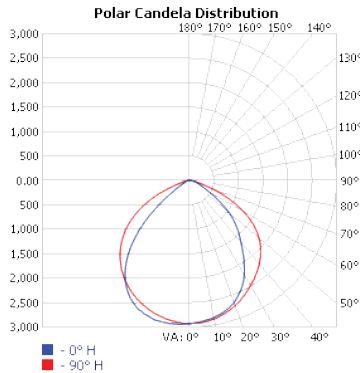
ZONAL LUMEN SUMMARY

ZONE	LUMENS	% LAMP	% LUMINAIRE
0-30	1,169.3	31.6%	31.6%
0-40	1,907.2	51.5%	51.5%
0-60	3,266.3	88.2%	88.2%
60-90	407.8	11%	11%
70-100	122.2	3.3%	3.3%
90-120	28.0	0.8%	0.8%
0-90	3,674.1	99.2%	99.2%
90-180	28.6	0.8%	0.8%
0-180	3,702.7	100%	100%

LUMENS PER ZONE

ZONE	LUMENS	% TOTAL	ZONE	LUMENS	% TOTAL
0-10	142.1	3.8%	90-100	8.3	0.2%
10-20	409.3	11.1%	100-110	9.3	0.3%
20-30	617.9	16.7%	110-120	10.5	0.3%
30-40	737.9	19.9%	120-130	0.5	0%
40-50	750.8	20.3%	130-140	0.000	0%
50-60	608.3	16.4%	140-150	0.000	0%
60-70	293.9	7.9%	150-160	0.000	0%
70-80	90.9	2.5%	160-170	0.000	0%
80-90	23.0	0.6%	170-180	0.000	0%

50W



ZONAL LUMEN SUMMARY

ZONE	LUMENS	% LAMP	% LUMINAIRE
0-30	2,282.2	33.1%	33.1%
0-40	3,707.6	53.7%	53.7%
0-60	6,125.8	88.7%	88.7%
60-90	724.3	10.5%	10.5%
70-100	244.4	3.5%	3.5%
90-120	52.2	0.8%	0.8%
0-90	6,850.1	99.2%	99.2%
90-180	53.2	0.8%	0.8%
0-180	6,903.3	100%	100%

LUMENS PER ZONE

ZONE	LUMENS	% TOTAL	ZONE	LUMENS	% TOTAL
0-10	277.4	4.0%	90-100	15.3	0.2%
10-20	797.9	11.6%	100-110	17.3	0.3%
20-30	1,206.9	17.5%	110-120	19.6	0.3%
30-40	1,425.4	20.6%	120-130	1.0	0%
40-50	1,389.3	20.1%	130-140	0.000	0%
50-60	1,028.9	14.9%	140-150	0.000	0%
60-70	495.2	7.2%	150-160	0.000	0%
70-80	177.5	2.6%	160-170	0.000	0%
80-90	51.5	0.7%	170-180	0.000	0%

ProLED® Select Flood Series

Field Selectable Color Temperature

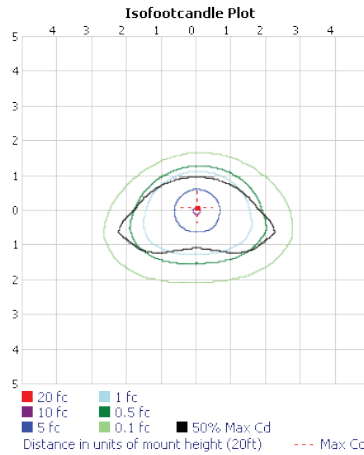
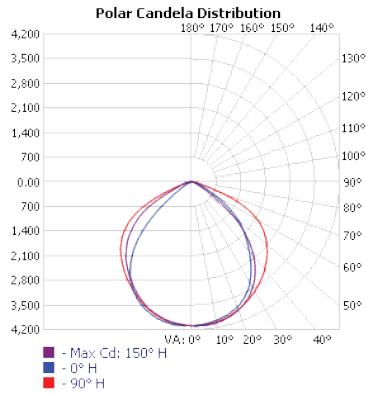
Product #: _____ Type: _____

Project: _____ Date: _____

Comments: _____ Initials: _____

Dimensions

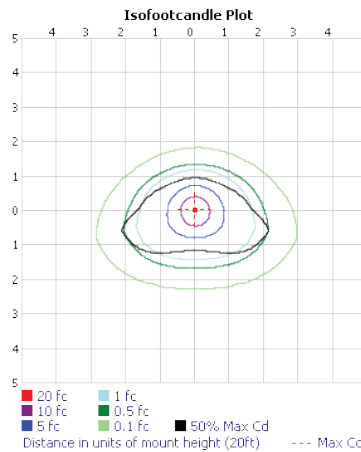
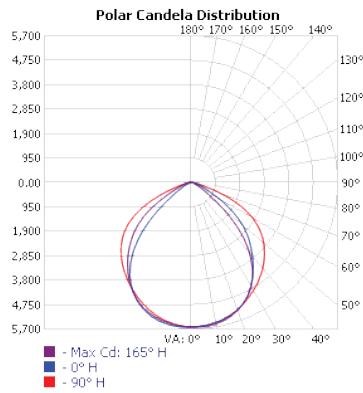
70W



ZONAL LUMEN SUMMARY			
ZONE	LUMENS	% LAMP	% LUMINAIRE
0-30	3,181.0	32.1%	32.1%
0-40	5,180.2	52.3%	52.3%
0-60	8,741.9	88.2%	88.2%
60-90	1,164.9	11.8%	11.8%
0-90	9,906.7	100%	100%

LUMENS PER ZONE		
ZONE	LUMENS	% TOTAL
0-10	386.9	3.9%
10-20	1,111.7	11.2%
20-30	1,682.3	17.0%
30-40	1,999.2	20.2%
40-50	1,991.7	20.1%
50-60	1,570.0	15.8%
60-70	833.0	8.4%
70-80	254.7	2.6%
80-90	77.1	0.8%

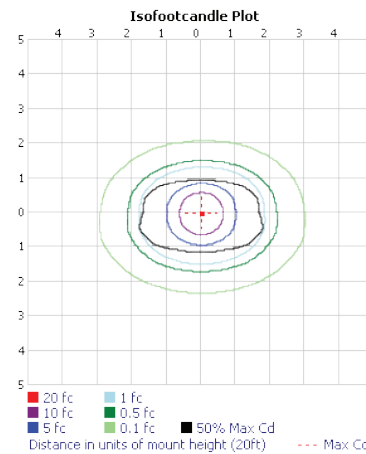
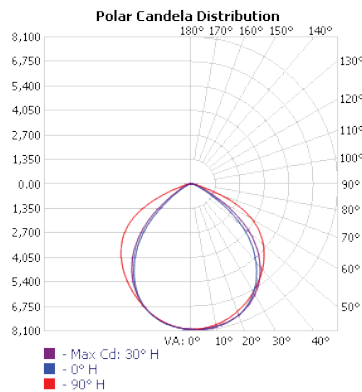
100W



ZONAL LUMEN SUMMARY			
ZONE	LUMENS	% LAMP	% LUMINAIRE
0-30	4,373.8	31.6%	31.6%
0-40	7,132.0	51.6%	51.6%
0-60	12,046.8	87.2%	87.2%
60-90	1,665.4	12%	12.1%
70-100	534.5	3.9%	3.9%
90-120	105.9	0.8%	0.8%
0-90	13,712.1	99.2%	99.2%
90-180	107.9	0.8%	0.8%
0-180	13,820.1	100%	100%

LUMENS PER ZONE					
ZONE	LUMENS	% TOTAL	ZONE	LUMENS	% TOTAL
0-10	531.9	3.8%	90-100	31.6	0.2%
10-20	1,527.9	11.1%	100-110	35.1	0.3%
20-30	2,314.1	16.7%	110-120	39.2	0.3%
30-40	2,758.1	20.0%	120-130	2.0	0%
40-50	2,746.7	19.9%	130-140	0.000	0%
50-60	2,168.1	15.7%	140-150	0.000	0%
60-70	1,162.5	8.4%	150-160	0.000	0%
70-80	388.5	2.8%	160-170	0.000	0%
80-90	114.3	0.8%	170-180	0.000	0%

150W



ZONAL LUMEN SUMMARY			
ZONE	LUMENS	% LAMP	% LUMINAIRE
0-30	6,221.6	31.9%	31.9%
0-40	10,139.9	52%	52%
0-60	17,106.3	87.7%	87.7%
60-90	2,240.3	11.5%	11.5%
70-100	710.1	3.6%	3.6%
90-120	148.5	0.8%	0.8%
0-90	19,346.6	99.2%	99.2%
90-180	151.4	0.8%	0.8%
0-180	19,498.0	100%	100%

LUMENS PER ZONE					
ZONE	LUMENS	% TOTAL	ZONE	LUMENS	% TOTAL
0-10	758.2	3.9%	90-100	43.9	0.2%
10-20	2,174.9	11.2%	100-110	49.3	0.3%
20-30	3,288.5	16.9%	110-120	55.3	0.3%
30-40	3,918.2	20.1%	120-130	2.9	0%
40-50	3,908.9	20.0%	130-140	0.000	0%
50-60	3,057.6	15.7%	140-150	0.000	0%
60-70	1,574.1	8.1%	150-160	0.000	0%
70-80	518.4	2.7%	160-170	0.000	0%
80-90	147.8	0.8%	170-180	0.000	0%