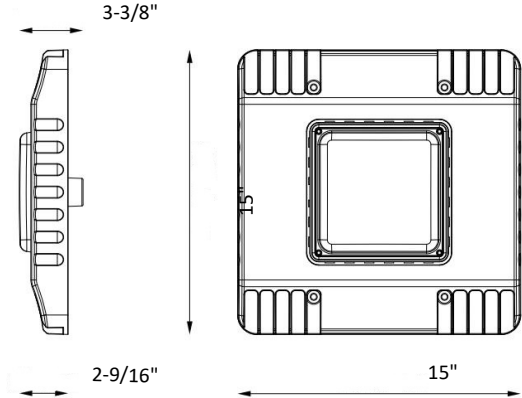




71411A - LED CANOPY LIGHT

120-277V 120W 4000K-5700K



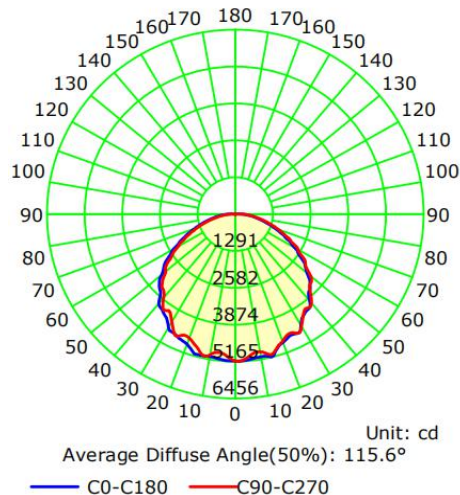
FEATURES:

- Commonly used in gas station, service station, underground parking lot, warehouse, garages etc.
- Powder Coated White Color
- Good Heat Dissipation
- CCT Selectable
- Frosted Polycarbonate Lens
- 5 Year Limited Warranty
- IP65 rated - Environment: Suitable for Wet Locations
- Certification: cULus
- DLC PRODUCT ID#: PLNITXTBIL6C

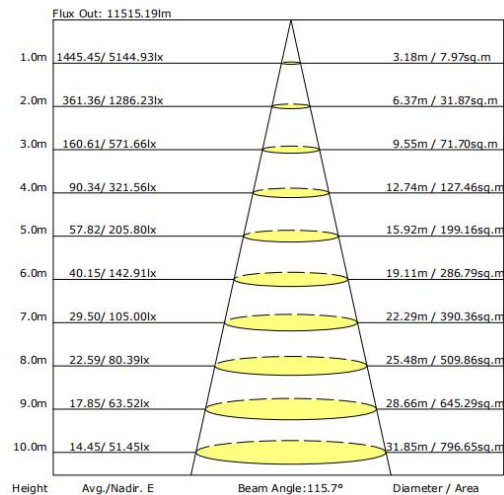
Part#	Input/Wattage	Volts	Lumens	CCT	CRI	Dimming	Light Pattern	Lumens/Watt	DLC PRODUCT ID #:
71411A	120	120-277	16,000	4K-57K	>80	N/A	Garage	133	PLNITXTBIL6C

PHOTOMETRY

Luminous Intensity Distribution Curve



The Average Illuminance Effective Figure





71411A - LED CANOPY LIGHT

120-277V 120W 4000K-5700K

Technical Specifications:

Electrical:

Input Voltage: 120V-277V

Current: 1.1A@120V

Frequency: 50/60Hz

Power Factor: $\geq .98$

THD: $\leq 20\%$

Product Parameters:

Input Watts: 120W

Lumens: 16,000

Efficacy: 133 lumens per watt

50,000+ Hour L70 Life Span

CCT: 4000K/4500K/5000K/5700K

Chromaticity Measurements:

Beam Angle: 114°

CRI: >82

R9: 11

Component Specifications:

LED: SMD 2835

120-277V, 50-60Hz

Dimming: N/A

Operating Temperature:

Minimum Starting: -40°F to 122°F

Construction:

Housing: Aluminum Alloy Powder Coated

IP Rating: IP65 suitable for wet locations

Lens Material: Polycarbonate

Mounting: Ceiling

Listings:

cULus

DLC PREMIUM PRODUCT ID#: PLNITXTBIL6C

Warranty:

Morris Products carries a 5 year warranty from date of purchase against defects in materials and workmanship (assuming normal and proper usage).