

Project:	
Type:	
Catalog #:	

## STANDARD



## HOUSING

- Die cast aluminum housing (painted white or black) & polycarbonate lens.

## ELECTRICAL

- Operating temperature (ambient): -40°C to 50°C (-40°F to 122°F).
- Universal 120-277V AC voltage (50-60Hz) is standard.
- 347-480V achieved with step-down transformer (sold separately).
- 0-10VDC dimming drivers are standard.
- Incoming AC power cord = 6'. Incoming dimming cord = 6'.
- Watertight, compression-type electrical connectors.
- Input transient surge protection = 6kV.
- Power factor = > 0.90.
- Total harmonic distortion = < 20%.

## OPTICAL SYSTEM

- Field selectable 4000k (neutral white) and 5000k (cool white) color temperatures.
- Tri-lumen selectable delivers 16,000 to 35,000 nominal lumens (see lumen tables on page 3).
- Screw in sensor ready. Sensor and remote control sold separately. Remote control required to change factory sensor settings (see default settings on page 2).
- Long-life LEDs provide 146,000 hours of operation with at least 70% of initial lumen output ( $L_{70}$ ), and 44,000 hours with at least 90% of initial lumen output ( $L_{90}$ ).
- LED color maintenance < 0.003 chromaticity shift ( $\Delta u'v'$ ) over the initial 6,000 hours of operation.
- Color rendering index > 80.



## MOUNTING

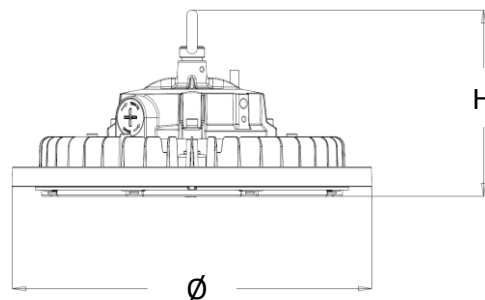
- Suspension from eyebolt (included) is standard.
- Ceiling-mounted installation using optional yoke mounting bracket, provides up to 180° of adjustability.
- Two ways to mount luminaire to electrical conduit:
  - Attach conduit (1/2" NPS) to optional yoke mounting bracket.
  - Optional pendant snap hook (for use with 3/4" NPS).

## CODE COMPLIANCE

- cULus listed for wet locations.
- DLC 5.1 premium listed.
- Complies with FCC Part 15, class A.
- IP65 rated for ingress protection.
- Lenses are rated IK09.

## WARRANTY

- 5-year warranty on all electronics and housing.



Model	Size (inches) & Weight (lbs)		
	Ø	H	Weight
HBRSR-221816L-4K5K	10.6	5.5	3.7
HBRSR-353024L-4K5K	13	5.6	6

## ORDERING INFORMATION

Example: HBRSR-221816L-4K5K-WHT

Series	Nominal Lumen Output (Selectable)		Kelvin Selectable	Housing Color	
	221816L	353024L		BLK	WHT
HBRSR	22,000/18,000/16,000	35,000/30,000/24,000	4K5K	Black	White

## ACCESSORIES (ORDER SEPARATELY)

### Sensor

- HD07VR-PH-1 = Passive infrared sensor - maximum mounting height = 39 FT, factory settings: detection area = 100%, hold time = 5 sec, stand-by period = 0 sec, stand-by dimming level = 10%, daylight threshold = disabled
- HD07VR-MH-B-1 = Microwave step-dimming sensor - maximum mounting height = 49 FT, factory settings: detection area = 100%, hold time = 5 sec, stand-by period = 0 sec, stand-by dimming level = 10%, daylight threshold = disabled
- HD05R = Remote control for HD07VR-PH-1 & HD07VR-MH-B-1 (required to change factory settings)

### Step-down Transformers

- HBSD-325W-480-277 = 347-480V step-down transformer - all models

### Reflectors

- HBRSR-ALREF-S = 90° aluminum reflector - HBRSR-221816L-4K5K models
- HBRSR-PCREF-S = 90° polycarbonate reflector - HBRSR-221816L-4K5K models
- HBRSR-ALREF-L = 90° aluminum reflector - HBRSR-353024L-4K5K models
- HBRSR-PCREF-L = 90° polycarbonate reflector - HBRSR-353024L-4K5K-4K5K models

### Mounting Options

- HBRSR-YOKE-WHT = Yoke mount - all models - white
- HBRSR-YOKE-BLK = Yoke mount - all models - black
- LEDHBRSN-PSH-PRM-V2 = Pendant snap hook - all models

## PLUGS

- When ordering a plug, use the following suffix choices.
  - Example: HBRSR-221816L-4K5K-WHT-**P515**
- Note: plugs do not affect the ability to install sensors.

Part number suffix	Description	For use with
P515	NEMA plug - 120V 15A	All models
P615	NEMA plug - 240V 15A	
P715	NEMA plug - 277V 15A	
P520	NEMA plug - 120V 20A	
P620	NEMA plug - 240V 20A	
P515L	NEMA plug twist-lock - 120V 15A	
P615L	NEMA plug twist-lock - 240V 15A	
P715L	NEMA plug twist-lock - 277V 15A	
P520L	NEMA plug twist-lock - 120V 20A	
P620L	NEMA plug twist-lock - 240V 20A	
P720L	NEMA plug twist-lock - 277V 20A	

## LUMEN INFORMATION

Series	Measurements	Low Lumens		Mid Lumens		High Lumens	
		4000K	5000K	4000K	5000K	4000K	5000K
HBR SR-221816L-4K5K	Lumens	15,891	15,522	18,790	18,218	22,935	21,802
	Watts	95	97	115	118	147	150
	Efficacy	168	161	163	155	156	145

Series	Measurements	Low Lumens		Mid Lumens		High Lumens	
		4000K	5000K	4000K	5000K	4000K	5000K
HBR SR-353024L-4K5K	Lumens	24,368	23,920	30,801	29,953	35,716	34,621
	Watts	146	148	192	196	229	236
	Efficacy	167	161	161	153	156	147

## ELECTRICAL INFORMATION

Series	CCT	Input Amps (A)								
		Low Lumens			Mid Lumens			High Lumens		
		120V	240V	277V	120V	240V	277V	120V	240V	277V
HBR SR-221816L-4K5K	4000k	0.79	0.40	0.34	0.96	0.48	0.42	1.23	0.61	0.53
	5000k	0.81	0.40	0.35	0.98	0.49	0.43	1.25	0.63	0.54
HBR SR-353024L-4K5K	4000k	1.22	0.61	0.53	1.60	0.80	0.69	1.91	0.95	0.83
	5000k	1.23	0.62	0.53	1.63	0.82	0.71	1.97	0.98	0.85

## COMPATIBLE DIMMERS & CONTROLS

Manufacturer	Model Number	Dimming Range	Load Switching Capacity
Best Lighting	DWS-010V-T	10%-100%	600W
Best Lighting	DWS-010V-D	10%-100%	600W
Leviton	IP710-LFZ	10%-100%	1200W
Lutron	DVSTV	10%-100%	450W

# PHOTOMETRICS

## HBRSR-221816L-4K5K

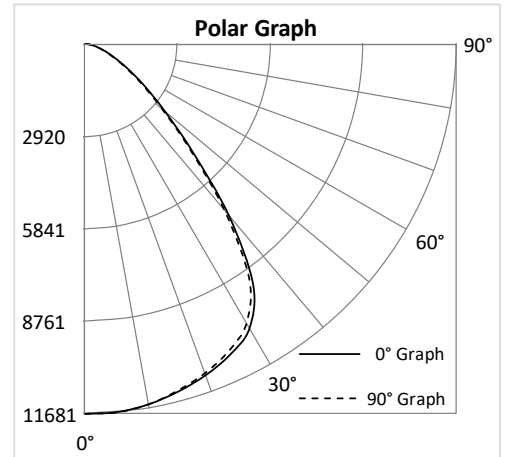
### Luminaire Data

Description	Round High Bay Lumen/Kelvin Selectable
Total Lumens	21,803
Input Wattage	150
Efficacy (lm/W)	145
Spacing Criterion (0-180°)	1.3
Spacing Criterion (90-270°)	1.28

Photometrics calculated at  
5000k - high lumens setting

### Zonal Lumen Summary

Zone	Lumens	%Fixt
0-20°	4,293	19.7%
0-30°	9,222	42.3%
0-40°	14,678	67.3%
20-50°	14,029	64.3%
40-70°	6,597	30.3%
0-60°	20,287	93.0%
0-80°	21,704	99.5%
0-90°	21,803	100.0%
90-180°	0	0.0%
0-180°	21,803	100.0%



## HBRSR-353024L-4K5K

### Luminaire Data

Description	Round High Bay Lumen/Kelvin Selectable
Total Lumens	34,628
Input Wattage	236
Efficacy (lm/W)	147
Spacing Criterion (0-180°)	1.24
Spacing Criterion (90-270°)	1.2

Photometrics calculated at  
5000k - high lumens setting

### Zonal Lumen Summary

Zone	Lumens	%Fixt
0-20°	7,096	20.5%
0-30°	14,949	43.2%
0-40°	22,917	66.2%
20-50°	21,399	61.8%
40-70°	10,642	30.7%
0-60°	31,779	91.8%
0-80°	34,413	99.4%
0-90°	34,628	100.0%
90-180°	0	0.0%
0-180°	34,628	100.0%

