

LED Driver

The LDM-T8195-100MW enables compatible LED Hybrid and Type B lamps to dimming via 0-10 volt dimming systems with a maximum of 100 watts per module

COMPATIBLE SKUS

87000 / 87001 / 87002
87100 / 87101 / 87102

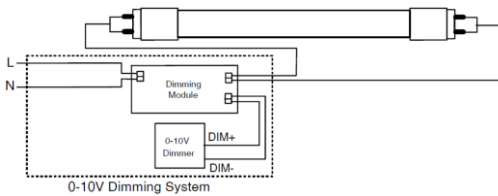
***Not compatible with line (triac) dimming systems**

FEATURES

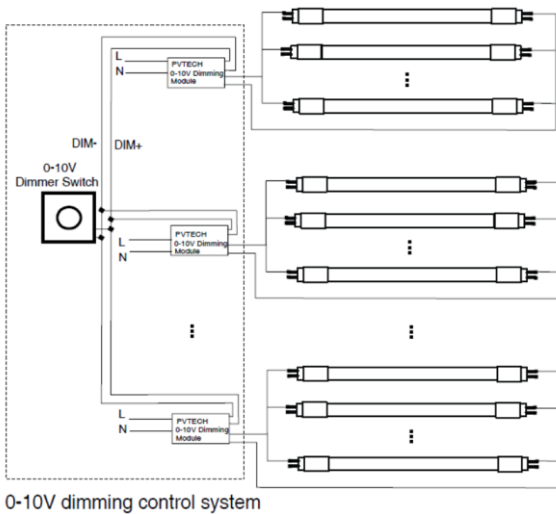
- Meets DLC 5.1 Requirements
- Multiple lamps per module
- 5 Year Warranty

WIRING DIAGRAM

One Lamp Setup



Multi Lamp Setup



SPECIFICATION TABLE

SKU	84979
Product Code	LDM-T8195
Construction	Metal
Input Voltage	120-277VAC, 50/60hz
Power Factor	>0.9
Dimming	0-10V
Input Current	1000mA Max
Input Wattage	100W Max
Output Wattage	95W Max
Efficiency	95% Max
Rate Life (hrs)	50,000
Warranty	5 Years
Environmental Requirements	Operating Temp: -20°C to 45°C Storage Temp: -20°C to 45°C Relative Humidity: 45% to 85% Non-corrosive environments
Size	9.53" x 1.73" x 1.18"