

Project	
Date	
Prepared By	
Model #	ECFALV

Specifications

Input Voltage: 12VDC
Input Current: 45mA Max
Input Power: 0.5W
Output Voltage: DC 10V
Output Current: 10mA Max
Output Power: 0.1W
Dimming:
 Class 2, 0-10V DC 10mA Max
Sinking Current: 10mA Max
Bluetooth Transmit:
 200ft Max
Radio Frequency: 2.4
Bluetooth Transmit:
 200ft Max
Radio Frequency:
 2.4GHz ± 75MHz **Bluetooth**
Version: 4.2 **Housing**
Material: UL 94-V0 Indoor/
Outdoor Us: Yes **Detection**
Range: 28-80ft **Mounting**
Height: 10-35ft **Operating**
Temperature:
 -30°C to 55°(-22°F to 131°F)
Storage Temperature:
 -30°C to 85°(-22°F to 185°F)
IP Rating: IP20



Norton Shores, Michigan 49441
 T: 231.332.1188 | F: 231.726.5029
 TOLL FREE: 866.632.7840
 www.earthtronics.com

Integrated Fixture Adapter

Requires 11803 Microwave Sensors for Low Bay Fixtures

ORDER CODE:
11804

MODEL NUMBER:
ECFALV

PRODUCT DESCRIPTION

EarthConnect, Bluetooth® networked lighting control system makes it easy for commercial facilities to maximize energy savings, improve comfort and achieve building code compliance for indoor and outdoor applications. 11804 fixture controller is designed to increase the Bluetooth signal in a networked lighting control system, especially for outdoor applications. They feature an external long-range antenna that extends wireless coverage for outdoor motion detection linkage. Sensors are not needed if it is used as a Bluetooth node.

PRODUCT FEATURES

- + Dim to Off driver with 12VDC output
- + Integral Bluetooth module
- + Includes connection port for long-range antenna with up to 1640 ft Bluetooth transmission range (antenna not included)
- + Designed for integration into luminaires for Luminaire Level Lighting Control (LLLC)
- + Sensor-ready attachment port for EarthTronics sensors (CC cable required)
- + 0-10V output
- + IP66 rated

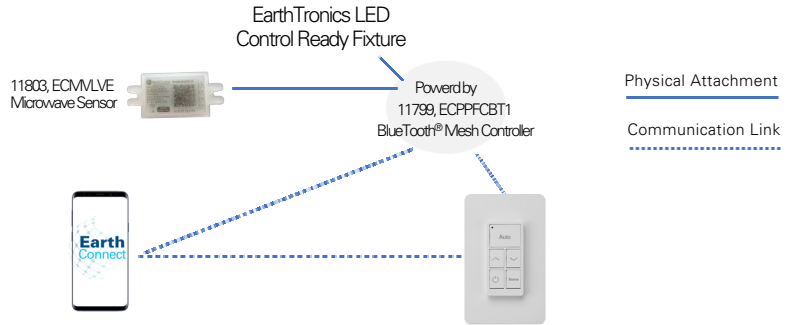
APP FEATURES

- + Wirelessly group luminaires to act in sync with each other.
- + Convenient commission via smartphone or wireless Bluetooth® wall switch, On/Off/ Dim.
- + Pre-set various color and brightness for individual or group of luminaires under different scene buttons, arouse all settings with one button.
- + Support setting delay time and dimming level for a group of sensors through
- + Search "EarthConnect" on the app store for iPhone (iOS 8.0 or later, and Bluetooth 4.0 or later), or google play store for Android (Android 4.3 or later, and Bluetooth 4.0 or later).

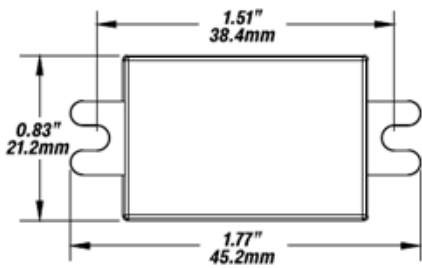


Download App

Please consult installation instructions for proper application and use of this product.

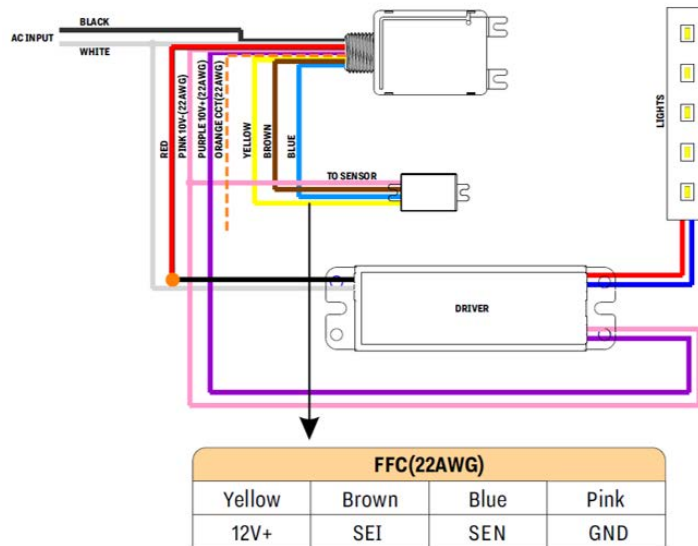


PRODUCT DIMENSIONS



Dimensions: 1.77" L x 0.45" W x 0.83" H
 Weight: 3 oz./ 0.1875 lbs
 Case Material: Plastic
 UPC: 840791118030

WIRING DIAGRAM



OPTIONAL ACCESSORIES



BlueTooth® Mesh Controller

Order Code: 11799



Dimmer Switch / Key Pad
 Order Code: 11808

LEARN MORE: [EarthConnect](https://www.earthtronics.com/earthconnect)

www.earthtronics.com/earthconnect



Download the EarthConnect App



Download App

